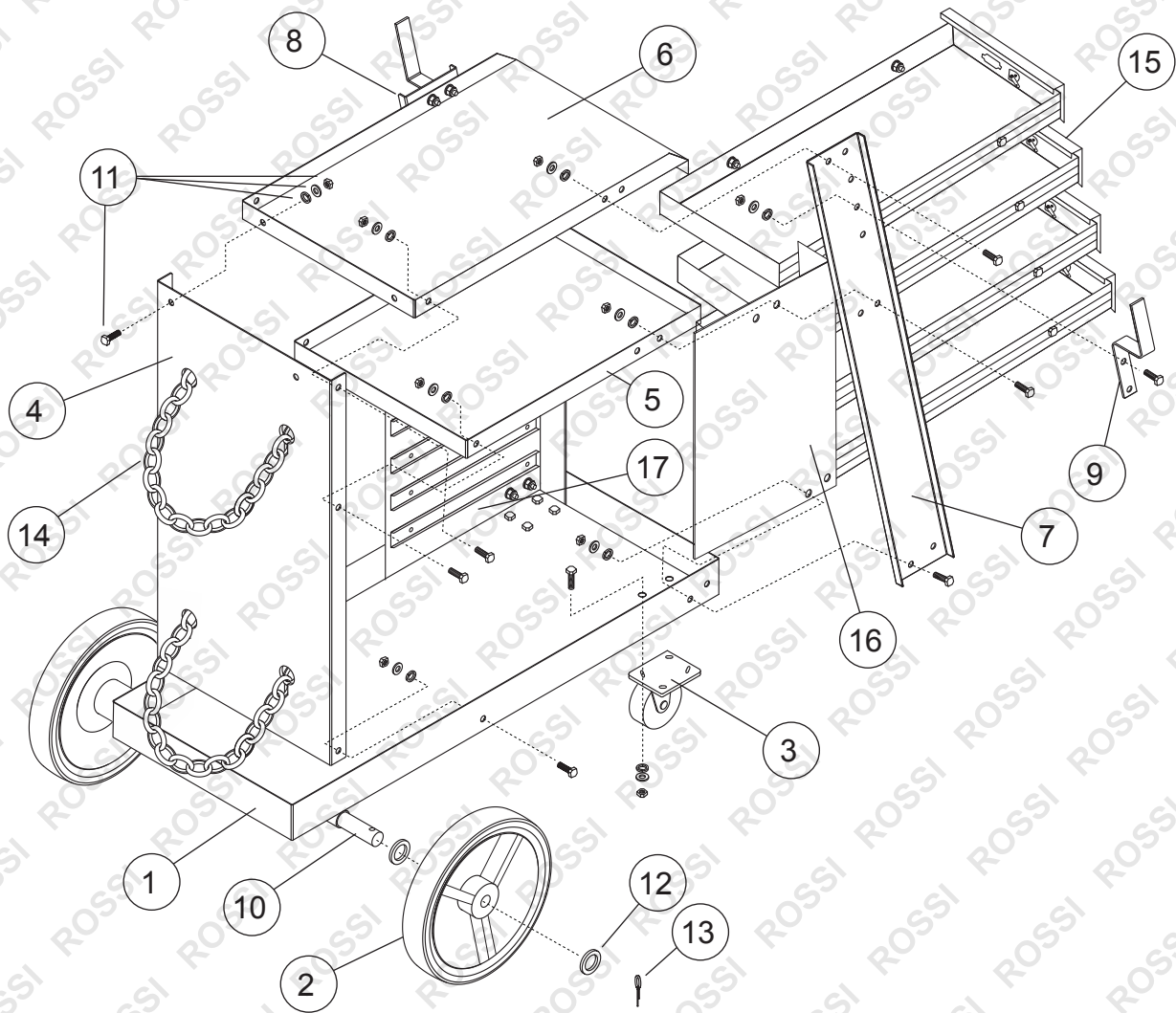


ROSSI®

Welding Cart with Drawers Assembly Guide

Note: Tools required for assembly: Suitable spanners.



Parts List

- | | |
|-------------------------------|---|
| 1. Base (1) | 10. Axle (1) |
| 2. Wheel (2) | 11. M6x12 Bolt/Flat Washer/Lock Washer/Nut (33) |
| 3. Caster (2) | 12. M12 Flat Washer (4) |
| 4. Rear Panel (1) | 13. Split Pin (2) |
| 5. Shelf (1) | 14. Bottle Chain (1) |
| 6. Welder Tray (1) | 15. Drawer Assembly (4) |
| 7. Left-Side Support Leg (1) | 16. Left-Side Drawer Runner Plate (1) |
| 8. Right-Side Support Leg (1) | 17. Right-Side Drawer Runner Plate (1) |
| 9. Hook (2) | 18. Keys (2) (for top drawer only. Not shown) |

ROSSI®

Welding Cart with Drawers Assembly Guide

1. Install axle (10) to base (1), then on each side place a washer (12) then wheel (2) (wheel “spokes” facing out). Place another washer (12) on outside of wheel, then secure with split pin (13). Bend legs of split pins to prevent them falling out.
2. Attach casters (3) to base (1) using 8 M6 fastener sets (11).
3. Assemble rear panel (4) to base (1) using 2 M6 fastener sets (11).
4. Install the left-side drawer runner plate (16) and left-side support leg (7) to the base (1) using 2 M6 fastener sets (11). The drawer runner plate sits on the inside of the base, with support leg on outer side of base. Do not tighten the fasteners at this stage.
5. Install the right-side drawer runner plate (16) and right-side support leg (7) to the base (1) using 2 M6 fastener sets (11). The drawer runner plate sits on the inside of the base, with support leg on outer side of base. Do not tighten the fasteners at this stage.
6. Install the shelf (5) to the back panel (4) and to the left and right-side drawer runner plates and left and right-side support legs using 6 M6 fastener sets (11). The shelf sits in the inside of the drawer runner plates. Do not tighten the fasteners at this stage.
7. Install the welder tray (6) to the back panel (4) and to the left and right-side support legs using 8 M6 fastener sets (11). Tighten all fasteners installed in steps 4 to 7.
8. Insert the drawers (15) into the drawer runners. Do this gently and do not force the drawers. The lockable drawer must be at the top.
9. Attach the hooks (9) to the left and right-side support legs using 4 M6 fastener sets (11).





Some experts believe that the incorrect or prolonged use of almost any product may cause serious injury or death. To help reduce your risk of serious injury or death, refer to the information below. For more information, see www.datastreamserver.com/safety

- Consult all documentation, packaging and product labelling before use. Note that some products feature documentation available online. It is recommended to print and retain the documentation.
 - Before each use, check the product for loose/broken/damaged/missing parts, wear or leaks (if applicable). Never use a product with loose/broken/damaged/missing parts, wear or leaks.
 - Products must be inspected and serviced (if applicable) by a qualified technician every 6 months. This is based on average residential use by persons of average size and strength, and on a property of average metropolitan size. Use beyond these recommendations may require more frequent inspections/servicing.
 - Ensure that all users of the product have completed a suitable industry recognised training course before being allowed access to the product.
 - If this product has been purchased in error when considering the information presented here, contact the retailer directly for details of their returns policy, if required.
- The product has been supplied by a general merchandise retailer that may not be familiar with your specific application or description of application. Be sure to attain third-party approval from a qualified specialist for your application before use, regardless of any assurances from the retailer or its representatives.
 - This product is not intended for use where fail-safe operation is required. As with any product (for example, automobile, computer, toaster), there is the possibility of technical issues that may require the repair or replacement of parts, or the product itself. If the possibility of such failure and the associated time it may take to rectify could in any way inconvenience the user, business or employee, or financially affect the user, business or employee, then the product is not suitable for your requirements. This product is not intended for use where incorrect operation or a failure of any kind, including but not limited to, a condition requiring product return, replacement, parts replacement or service by a technician may cause financial loss, loss of employee time or an inconvenience requiring compensation.



©2018 Rossi. All rights reserved. No part of this document, including descriptive content, concepts, ideas, diagrams or images may be reproduced or transmitted in any form or by any means, electronic or mechanical, including photocopying, scanning or recording, or any information storage and retrieval system, without express permission or consent from the publisher.