

UNDERWATER MONITOR SYSTEM

INSTALLATION GUIDE & MANUAL



Read these instructions completely before operating this device

Waterproof color video Camera

MODELS



CR110-7

CR110-7(A)



TABLE OF CONTENTS

The LCD Monitor and Specifications

The Underwater Camera and Specifications

Operation and Description for Model CR110-7

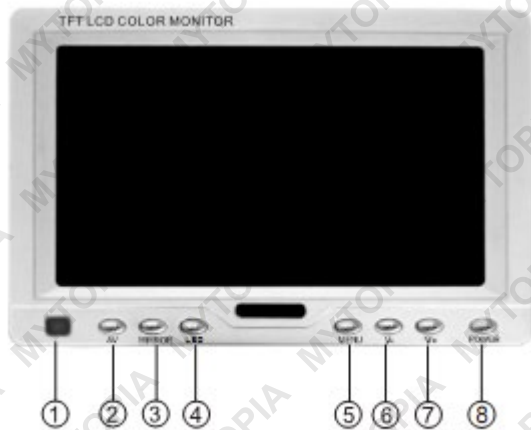
Operation and Description for Model CR110-7(A)

Operation and Description for Model C-R110-7(C)

Cautions

Troubleshooting Guide

MONITOR



1. Receiving window
2. AV1/AV2 Switch
3. Mode Switch
4. LED Control (CR-006A)
5. Menu
6. Adjustment Key -
7. Adjustment Key +
8. Power

2) Specifications

Size of Screen: 7 Inch

Colour system: PAL/NTSC

Input voltage: DC 12V

Power: DC12V inside + and outside -

Receiving channel: AV/CAMERA

Consumption: less than 7.5W

Display Mode: 16:9

Contrast: 300:1

Brightness: 250cd/m²

Visible Angle: 65 degree from left to Right side,
40/65 degree from top to bottom

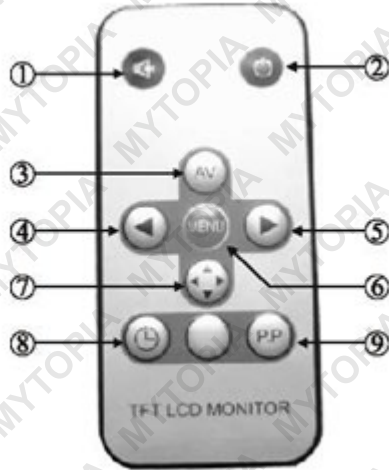
Resolution: 480 (W) xRGBx234 (H) =336960pixels

Storage Temperature:-20~65°C

Working Temperature: -10~50°C

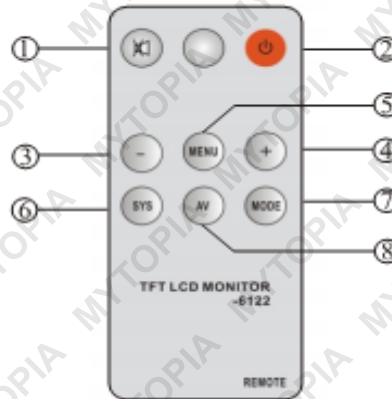
Dimension: 189 (W) x 122(H) x24(D) mm

REMOTE CONTROLLER



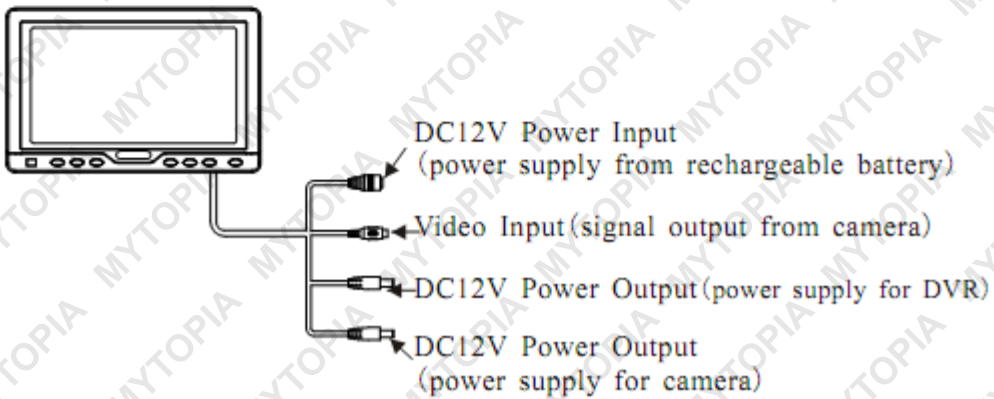
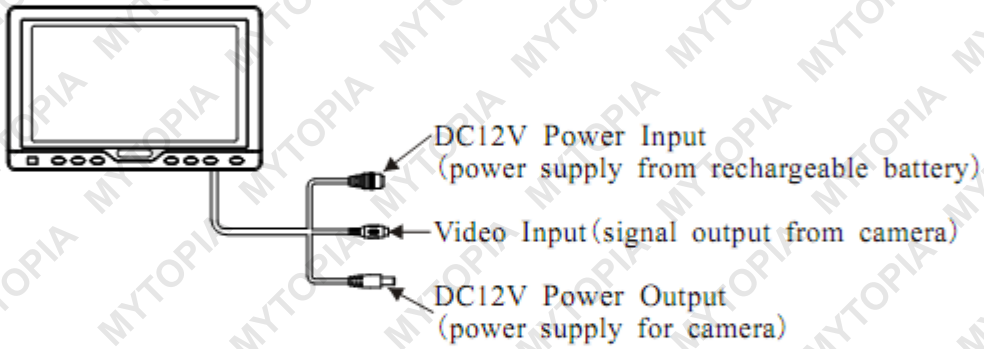
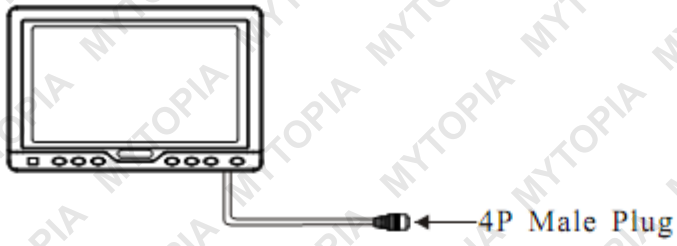
1. Mute
2. Power
3. AV1/AV2 Switch
4. Adjustment Key –
5. Adjustment Key +
6. Menu
7. Mode Switch
8. Time
9. P.P. Mode

1. Mute
2. Power
3. Adjustment Key –
4. Adjustment Key +
5. Menu
6. SYS Switch
7. AV1/AV2 Switch
8. LED Control



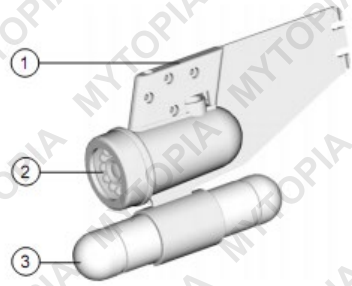
Remote controller for Model CR-006A

CABLE CONNECTION



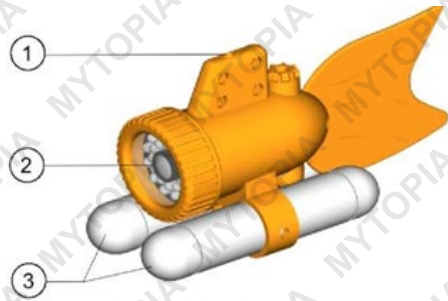
The Underwater Camera and its Specifications

1. 20m or 30m Cable
2. Underwater camera with white LEDs
3. Stainless Steel Ballast



Model: CR-006

1. 20m or 30m Cable
2. Underwater Camera with White LEDs
3. Stainless Steel Ballast



Model: CR-006A

Images Sensors Specification	1/3" COLOR CMOS OV7910	1/4" COLOR CCD SHARP	1/3" B/W CCD LG	1/3" B/W CCD SONY
TV System	PAL/NTSC	PAL/NTSC	PAL/NTSC	PAL/NTSC
Effective Pixels	512×582/512×492	628×582/628×512	628×582/628×512	628×582/628×512
Sensing Area(mm)	4.9×3.7	3.6 × 2.7	4.9×3.7	4.9×3.7
Resolution(TV Lines)	380	420	420	450
Horizontal Sync.Frequency (KHZ)	15.625/15.734	15.625/15.734	15.625/15.734	15.625/15.734
Vertical Sync.Frequency(Hz)	50/60	50/60	50/60	50/60
Video Output	75 Ohm	75 Ohm	75 Ohm	75 Ohm
S/N ratio	Better than 45dB	Better than 45dB	Better than 45dB	Better than 48dB
Gamma Consumption:	0.45	0.45	0.45	0.45
Lens	6mm	3.6mm	3.6mm	3.6mm
Lens Angle(Deg.)	62	92	92	92
Temperature Testing	NO	NO	YES	YES
Direction Testing	NO	NO	YES	YES
Current Consumption(mA)	480MA	500MA	500MA	500MA
Power Supply(DCV)	12	12	12	12
IR Leds	24Leds	24Leds	24Leds	24Leds
Minimum Illumination	3Lux/F2.0	0.8 Lux/ F1.2	0.5Lux/ F1.2	0.05 Lux/ F1.2
Underwater visual distance (M)	3-6	3-6	3-6	3-6
Ip rating	4kg/cm2	4kg/cm2	4kg/cm2	4kg/cm2
Operating Temperature(Deg. °C):	-20~+75 (RH95% Max.)	-20~+75 (RH95% Max.)	-20~+75 (RH95% Max.)	-20~+75 (RH95% Max.)
Storage Temperature(Deg. °C) :	-40~+85 (RH95% Max.)	-40~+85 (RH95% Max.)	-40~+85 (RH95% Max.)	-40~+85 (RH95% Max.)

USING YOUR UNDERWATER CAMERA

The Underwater camera can be used for a variety of fun and practical applications; it can also be used in/out of water! We suggest using the underwater camera for the following:

Swimming:

Videotape the kids in the water-help improve their swimming techniques or record their very first swim. Place the Underwater Cam at the bottom of the pool and kids will enjoy seeing their water games captured on VCR! Place the Underwater cam in your fish tank and see your aquarium fish on TV!

Snorkelling and Diving:

Record snorkelling or diving trips, show friends and family the tropical fish, coral reefs, underwater treasures and friendly dolphins you encountered on your holiday! The Underwater Cam is also ideal for the elderly who are unable to swim but still want to see the action!

Fishing:

See the type and quantity of fish below, or find out what the conditions are like beneath your boat (i. e. weeds, rocks, sand). Inspect damaged propellers by simply lashing the Underwater Cam to a boat hook or pole.

Ice Fishing:

Examine your location and make sure there are fish below before you setup your tent!

Big Game Fishing:

Connect the Underwater Cam to your camcorder and record the action of your fishing trips-SEE sharks devouring bait!

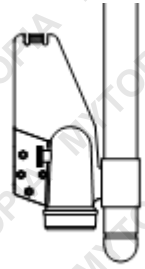
Lake Fishing:

Make the most of your time on the water-don't wait for the fish to come to you-you can now find the fish! Camera warranted to 18m/60ft depth. DO NOT EXCEED OR WARRANTY WILL BE VOID # with AV input. Water quality will affect viewing distance, additional lighting may be required.

More Uses for the Underwater Camera



To allow the Underwater cam to look straight down, simply clip the cable through the ring near the back of the camera. This will allow the camera to be suspended by the cable in a vertical position. You can also remove the Stainless Steel Ballast and insert a pole, broom handle or similar and use it to point the camera at the area you wish to view.



Show children what goes on at the bottom of the sea, lake, fishpond or aquarium.

Search and Rescue, Farming and Marine Departments:

Look down wells and tanks or search dams, rivers and flooded mine shafts. Search sink holes, look down pipe or large drain holes for missing pets or children. Marine departments can check for damage, inspect boats or search for wrecks.

Farms and Ranches: Farmers can use the Underwater cam to inspect the bottom of wells, tanks and dams.

Plumbers:

Use the Underwater cam to check drains and pipes for root/branches/leaf clogs and blockages.

The Underwater Monitor (MODEL CR110-7) and its Parts



PARTS



A



B



C



D



E



F



G



H

- A. Metal Case
- B. Monitor
- C. DC12V 500mA Adaptor
- D. Rechargeable Battery
- E. Connector (for battery charging only)
- F. Remote Control
- G. Underwater Camera
- H. Manual

OPERATION

1. Read the instruction manual completely before operating this unit.
2. Open the lock of the plastic case carefully.
3. Place the rechargeable battery, and then connect the connector (for the battery charging only) and the battery. The red power cable and black ground cable should be connected to the red terminal and black terminal of the battery respectively.
4. Open the sunshade of the monitor; connect the cables between the battery and the monitor as above.
5. Connect the camera cables.
6. Make sure all the cables be connected correctly, then press the POWER button of the monitor.
7. According to your need, you can use the camera in different places.
8. For charging convenience, a leading line is equipped besides the back cover, and then there is no need to get the battery out when charging. You just need to connect the adaptor and the leading line together.
9. By adjusting the brightness, contrast, colour, chrome on the monitor button or the remote controller, you will get great display quality.
10. Please recharge the battery regularly; even you haven't used it for a long time. To make sure that the battery can be used for a longer time, please keep battery with power all the time.

The Underwater Monitor (MODEL CR110-7A) and its Parts



Parts



A



B



C



D



E



F



G



H

- A. Plastic Case
- B. Monitor
- C. DC 12V 500mA Adaptor
- D. Rechargeable Battery
- E. Connector (for battery charging only)
- F. Remote Controller
- G. Underwater Camera
- H. Manual

OPERATION

1. Read the instruction manual completely before operating this unit.
2. Open the lock of the plastic case carefully.
3. Place the rechargeable battery, and then connect the connector (for the battery charging only) and the battery. The red power cable and black ground cable should be connected to the red terminal and black terminal of the battery respectively.
4. Open the sunshade of the monitor; connect the cables between the battery and the monitor as above.
5. Connect the camera cables.
6. Make sure all the cables be connected correctly, then press the POWER button of the monitor.
7. According to your need, you can use the camera in different places.
8. For charging convenience, a leading line is equipped besides the back cover, and then there is no need to get the battery out when charging. You just need to connect the adaptor and the leading line together.
9. By adjusting the brightness, contrast, colour, chrome on the monitor button or the remote controller, you will get great display quality.
10. Please recharge the battery regularly; even you haven't used it for a long time. To make sure that the battery can be used for a longer time, please keep battery with power all the time.



Some experts believe that the incorrect or prolonged use of almost any product may cause serious injury or death. To help reduce your risk of serious injury or death, refer to the information below. For more information, see www.datastreamserver.com/safety

- Consult all documentation, packaging and product labelling before use. Note that some products feature documentation available online. It is recommended to print and retain the documentation.
- Before each use, check the product for loose/broken/damaged/missing parts, wear or leaks (if applicable). Never use a product with loose/broken/damaged / missing parts, wear or leaks.
- Products must be inspected and serviced (if applicable) by a qualified technician every 6 months. This is based on average residential use by persons of average size and strength, and on a property of average metropolitan size. Use beyond these recommendations may require more frequent inspections / servicing.
- Ensure that all users of the product have completed a suitable industry recognised training course before being allowed access to the product.
- The product has been supplied by a general merchandise retailer that may not be familiar with your specific application or description of application. Be sure to attain third-party approval from a qualified specialist for your application before use, regardless of any assurances from the retailer or its representatives.
- This product is not intended for use where fail-safe operation is required. As with any product (for example, automobile, computer, toaster), there is the possibility of technical issues that may require the repair or replacement of parts, or the product itself. If the possibility of such failure and the associated time it may take to rectify could in any way inconvenience the user, business or employee, or financially affect the user, business or employee, then the product is not suitable for your requirements. This product is not intended for use where incorrect operation or a failure of any kind, including but not limited to, a condition requiring product return, replacement, parts replacement or service by a technician may cause financial loss, loss of employee time or an inconvenience requiring compensation.
- If this product has been purchased in error when considering the information presented here, contact the retailer directly for details of their returns policy, if required.

