



Electric Log Splitter Hercules HPS300

User Manual

[Revision 1.0 November 2017]

READ THIS MANUAL CAREFULLY BEFORE USE – FAILURE TO DO SO MAY RESULT IN INJURY, PROPERTY DAMAGE AND MAY VOID WARRANTY. • KEEP THIS MANUAL FOR FUTURE REFERENCE. • Products covered by this manual may vary in appearance, assembly, inclusions, specifications, description and packaging.



The product is NOT supplied with engine oil, although traces of oil from the manufacturing process may be present. It is essential to add adequate engine oil of the correct type to the engine before use – see [Replacing Hydraulic Oil](#). **Failure to add engine oil will void the product warranty.**

Table of Contents

Safety	4
Parts Identification	5
Set-Up	6
Operation	7
Working with Logs	7
Maintenance	8
Hydraulic Oil	8
Troubleshooting	9
Specifications	9

Safety



If used correctly, the machine is a powerful, high performance tool. If used improperly or without due precaution, it may represent a hazard. For safe operation, always comply strictly with the safety rules that follow, as well as those found throughout this manual.



- Do not use the machine without complete understanding of the operating instructions, safety precautions and risks. Keep this manual on hand and refer to it before each use.
- **ELECTRICAL SAFETY – SHOCK HAZARD:**
 - Improper use of extension cords may cause inefficient operation of the log splitter which may result in overheating. Be sure the extension cord is no longer than 10m and its wiring cross-section is no less than 2.5mm² to allow sufficient current flow to the motor.
 - Always disconnect the machine from the power supply when not in use, before making adjustments, changing parts, or cleaning etc.
 - Avoid use of damaged or inadequately insulated connections. Connections must be suitable for outdoor use.
 - Check that the electric circuit is adequately protected and that it corresponds with the power, voltage and frequency of the motor.
 - Check that there is a ground connection, and a residual current device (RCD) protection switch in use.
 - Ground the log splitter and prevent body contact with grounded surfaces.
 - Never open the motor switch box. Should this be necessary, contact a qualified electrician.
 - Make sure your fingers do not touch the electrical plug metal prongs when plugging or unplugging the machine.
- Inspect the unit before use. Replace any missing or damaged parts. Do not operate the unit with damaged parts. Use only original equipment manufacturer (OEM) replacement parts. Use of unauthorised parts or accessories could lead to injury, damage to the unit, and void warranty.
- The machine must only be used by adults in good physical condition, with knowledge of the operating instructions.
- Use the machine for its intended purpose only.
- Place the machine on a stable, level and flat work surface with ample space for handling logs. The machine can be bolted down, if required.
- Do not operate the machine if you are tired or under the effects of alcohol and/or drugs.
- The machine must be operated by one person only. Do not allow helpers or bystanders within 30m of the machine when being operated. Note that there still may be a risk to bystanders from thrown objects. Bystanders should be encouraged to wear eye protection.
- Never wear scarves, bracelets or anything else which could get caught up in the machine.
- Wear close-fitting safety clothing, including long pants, long sleeve shirt, protective non-slip safety shoes, gloves and eye protection.
- Avoid combustible atmospheres or closed environments.
- Always work in a safe, balanced and firm-footed position and do not over-reach. Do not stand on the machine or use it as a platform. Grip the machine firmly by the handles and keep all parts of the body away from logs and moving parts.
- Recommendations for operation:
 - Make sure there are no nails or foreign objects in logs to be split.
 - The ends of the logs must be cut square.
 - Branches must be cut of flush with the trunk.
 - Always split logs in the direction of the wood grain.
 - Do not attempt to load or unload logs whilst the ram is moving.
- Keep hands away from splits and cracks which open in the log - they may close suddenly and crush or amputate your hands.
- Do not remove jammed logs with your hands.
- Do not force the tool - it will do a better and safer job working within its specifications. Never try to split logs larger than those specified. This is be dangerous and may damage the machine.
- Do NOT leave the tool running whilst unattended or until it has come to a complete stop.
- Clean the machine after each use – see Cleaning and Storage.
- Take used oil to an authorized collection point or follow the regulations in the country where the log splitter is used. Do not discharge oil into drains, soil, water etc.
- Never use a damaged, modified, or improperly repaired/assembled machine. Do not remove, modify or deactivate any of the machine safety devices.

Parts Identification



Figure 1

No.	Name	No.	Name
1	Work Table	9	Ram Control Lever
2	Motor	10	Wheels
3	Pump	11	Hydraulic Ram
4	Hydraulic Ram	12	High Pressure Hoses
5	Oil Tank	13	Drag Handle
6	Motor Switch Box	14	Log Supports / Screws
7	ON / OFF Switch	15	Splitting Wedge
8	Oil Filler / Dipstick / Air Bleed Valve	16	Support Legs

Set-Up

Refer to *Figures 1, 2 and 3.*



DO NOT ADJUST THE PRESSURE LIMITING SCREW - Maximum pressure is set at the factory and the adjustment screw sealed to prevent over-pressure in the hydraulic system. Unauthorized adjustment of the pressure limiting screw may cause the hydraulic pump or other components to fail and will void warranty..

1. Unpack the machine and remove all packaging.
2. Slide the hydraulic ram (4) to the mounting post so the studs pass through end of the ram (remove the nuts and washers before sliding the ram into position).
3. Insert the washers and nuts over the ram mounting studs and tighten using a suitable spanner.
4. Loosen the lock nut on the ram control lever (9) using an appropriate spanner.
5. Rotate the ram control lever into an upright position, then tighten the lock nut using an appropriate spanner.



Figure 2

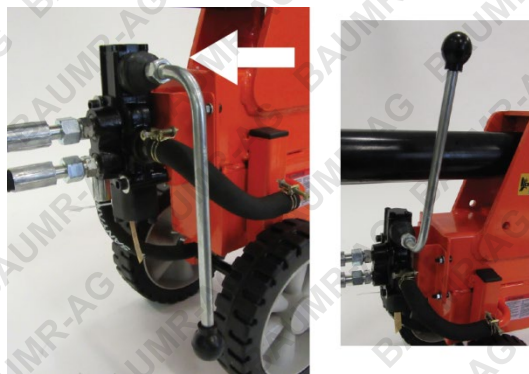


Figure 3

Operation

Refer to *Figures 1 and 4*.

1. Loosen the oil filler/air bleed screw (8) 2 to 3 turns. This allows air in and out of the oil tank as the ram moves. If the air bleed is not opened, the ram may attempt to return from an extended position due to a vacuum effect in the oil tank.

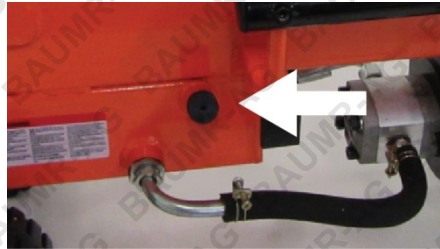


Figure 4

2. Adjust the position of the log supports (14), if required for the log diameter, and secure in position using the locking screws.
3. Place the log on the work table (1), with one end up against the splitting wedge (15).
4. Turn the machine on at the motor switch box (6). Flip the cover up to access the On and OFF buttons.
5. Operate the hydraulic ram (11) using the ram control lever (9). Move the lever toward the hydraulic ram to push forward; move the lever away from the hydraulic ram to retract the ram.
6. Use the ram to push the log against the wedge until it splits.

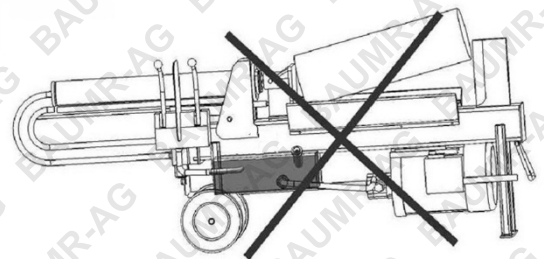
NOTE: When finished, it is recommended to fully close the oil filler to prevent leakage during transportation.



If the log is not splitting, do NOT keep pressure against the log for more than 5 seconds. This places additional stresses on the machine and may damage it or the hydraulic system. In such cases rotate the log 90° and attempt to split it again. If this is not successful, the log may be too hard for the capacity of the machine and should be discarded.

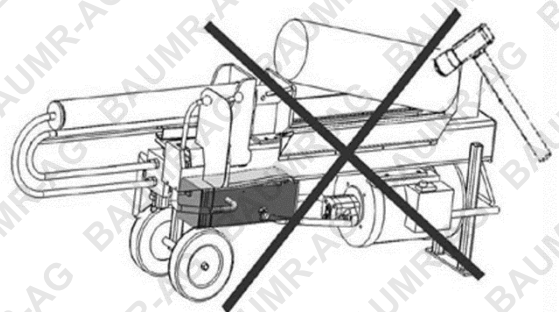
Working with Logs

- Always set logs firmly on the work table, with the log supports in suitable positions.
- Ensure that logs will not twist, rock or slip while being split.
- Ensure that logs have good contact with the splitting wedge. Splitting against the top of the wedge may break the wedge or otherwise damage the machine.



Extracting Jammed Logs

- Release pushing pressure against the log and fully retract the ram.
- Insert a wooden wedge under the jammed log, narrow edge under the end of the log.
- Use the log splitter to push the wedge under the jammed log to release it. Various sized wedges may need to be tried.
- Do not strike the jammed log to free as this may damage the machine or suddenly launch the log from the machine.



Maintenance

The following procedures should be performed as and when necessary. Often, a reduction in machine performance indicates that one or more maintenance procedures is required – refer to the Troubleshooting section for additional information.



All maintenance activities should be performed in a safe and clean environment and the machine OFF and disconnected from the power supply.

Hydraulic Oil



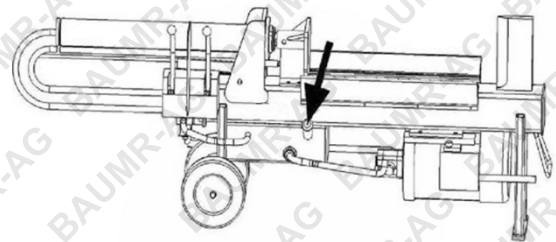
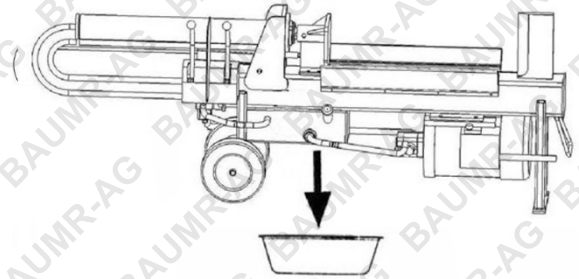
Always check the oil level before using the machine and sure it is at or close to the maximum level indicator. Oil should be replaced every 150 hours of machine use.

The hydraulic oil system requires regular maintenance.

Note: Recommended oil types are Shell Tellus 22 / Mobil DTE 11 / BP Energol HLP-HM22 / Aral Vitam GF22. • Oil capacity is 3.5 liters. • Always dispose of used oil in an environmentally responsible manner and according to regulations.

Replacing Hydraulic Oil

1. Place the machine on a level surface with the work table in a horizontal position.
2. Place a container under the machine oil tank. Capacity should be at least 4 liters.
3. Unscrew and remove the oil drain bolt at the bottom of the oil tank with a suitable spanner.
4. Allow the oil to drain completely (this could take several minutes).
5. Insert the oil drain bolt and tighten.
6. Remove the oil filler cap.
7. Refill the oil tank with new hydraulic oil.
8. Clean the surface of the dipstick in the oil filler cap and reinstall it.
9. Remove the oil filler cap and check that the oil level is at or just below the upper indicator on the dipstick. Add or drain oil as required.
10. Reinstall the oil filler cap.



Wedge Sharpening

After using log splitters for some time, the splitting wedge may become dulled or uneven.

Sharpen the splitting wedge using a fine-toothed file and smooth any burrs or crushed areas along the cutting edge.

Troubleshooting

The following information may assist in identifying a problem and rectifying it.

Note: Some procedures listed here may need to be performed by a qualified service technician.

Malfunction	Analysis	Solution
<i>Motor not starting</i>	<ol style="list-style-type: none"> 1. Overload protection tripped. 	<ol style="list-style-type: none"> 1. Seek diagnosis and repair from a qualified electrician or authorized service center.
<i>Not splitting logs</i>	<ol style="list-style-type: none"> 1. Log improperly positioned. 2. Size or hardness of log exceeds machine capacity. 3. Splitting wedge blunt. 4. Oil leaking. 5. Oil pressure limiter not correctly set. 	<ol style="list-style-type: none"> 1. Ensure log is positioned correctly on work table. 2. Ensure log size is within specification and log shape is suitable for splitting. 3. Sharpen splitting wedge. 4. Seek diagnosis and repair from an authorized service center. 5. Seek diagnosis and repair from an authorized service center.
<i>Ram not moving smoothly (jerkling, vibrating etc)</i>	<ol style="list-style-type: none"> 1. Lack of hydraulic oil. 	<ol style="list-style-type: none"> 1. Ensure oil level is at or just under maximum level indicator. Unscrew oil filler 2 to 3 turns. If still problematic, seek diagnosis and repair from an authorized service center.
<i>Oil leak from hydraulic ram or other points</i>	<ol style="list-style-type: none"> 1. Air sealed in hydraulic system. 2. Machine moved with oil filler cap loose. 3. Oil drain bolt loose. 4. Hydraulic ram seal no longer serviceable. 	<ol style="list-style-type: none"> 1. Unscrew oil filler 2 to 3 turns. 2. Properly close oil filler cap before moving machine. 3. Tighten oil drain bolt. 4. Seek diagnosis and repair from an authorized service center.

Specifications

Motor	240VAC / 50Hz
Motor Power	2200W
Log Capacity	7 to 35cm diameter / maximum length 52cm
Splitting Force	12 tons
Hydraulic Pressure	21MPa
Oil Capacity	3.5 liters
Oil Type	Shell Tellus 22 / Mobil DTE 11 / BP Energol HLP-HM22 / Aral Vitam GF22
Size	1560 (l) x 395 (w) x 570mm (h)
Weight	Approximately 80kg



Some experts believe that the incorrect or prolonged use of almost any product may cause serious injury or death. To help reduce your risk of serious injury or death, refer to the information below. For more information, see www.datastreamserver.com/safety

- Consult all documentation, packaging and product labelling before use. Note that some products feature documentation available online. It is recommended to print and retain the documentation.
- Before each use, check the product for loose/broken/damaged/missing parts, wear or leaks (if applicable). Never use a product with loose/broken/damaged/missing parts, wear or leaks.
- Products must be inspected and serviced (if applicable) by a qualified technician every 6 months. This is based on average residential use by persons of average size and strength, and on a property of average metropolitan size. Use beyond these recommendations may require more frequent inspections/servicing.
- Ensure that all users of the product have completed a suitable industry recognised training course before being allowed access to the product.
- The product has been supplied by a general merchandise retailer that may not be familiar with your specific application or description of application. Be sure to attain third-party approval from a qualified specialist for your application before use, regardless of any assurances from the retailer or its representatives.
- This product is not intended for use where fail-safe operation is required. As with any product (for example, automobile, computer, toaster), there is the possibility of technical issues that may require the repair or replacement of parts, or the product itself. If the possibility of such failure and the associated time it may take to rectify could in any way inconvenience the user, business or employee, or financially affect the user, business or employee, then the product is not suitable for your requirements. This product is not intended for use where incorrect operation or a failure of any kind, including but not limited to, a condition requiring product return, replacement, parts replacement or service by a technician may cause financial loss, loss of employee time or an inconvenience requiring compensation.
- If this product has been purchased in error when considering the information presented here, contact the retailer directly for details of their returns policy, if required.

Bäumr-AG[®]
.com.au