



Kids Battery Powered Electric Ride-On Car Phantom Inspired

User Manual

[Revision 7.0 May 2018]

READ THIS MANUAL CAREFULLY BEFORE USE – FAILURE TO DO SO MAY RESULT IN INJURY, PROPERTY DAMAGE AND MAY VOID WARRANTY. • KEEP THIS MANUAL FOR FUTURE REFERENCE. • Products covered by this manual may vary in appearance, assembly, inclusions, specifications, description and packaging.

THE BATTERY MAY HAVE SOME CHARGE ON ARRIVAL, IT IS IMPORTANT HOWEVER THAT THE BATTERY IS CHARGED PRIOR TO USE.



Table of Contents

Safety	1
Included Items	2
Assembly	3
Installing the Rear Axle.....	3
Installing the Rear Wheels.....	4
Installing the Front Wheels	4
Installing the Support Frames.....	4
Installing the Side Mirrors	5
Installing the Steering Wheel.....	5
Installing the Windscreen	5
Connecting the Power	6
Installing the Seat.....	6
Installing the Badge.....	6
Operation	7
Moving Forward.....	7
Stopping	7
Reversing	7
Remote Control	8
Setup	8
Operation	8
Battery Warning.....	8
Charging.....	9
Maintenance	9
Troubleshooting	10
Specifications	11

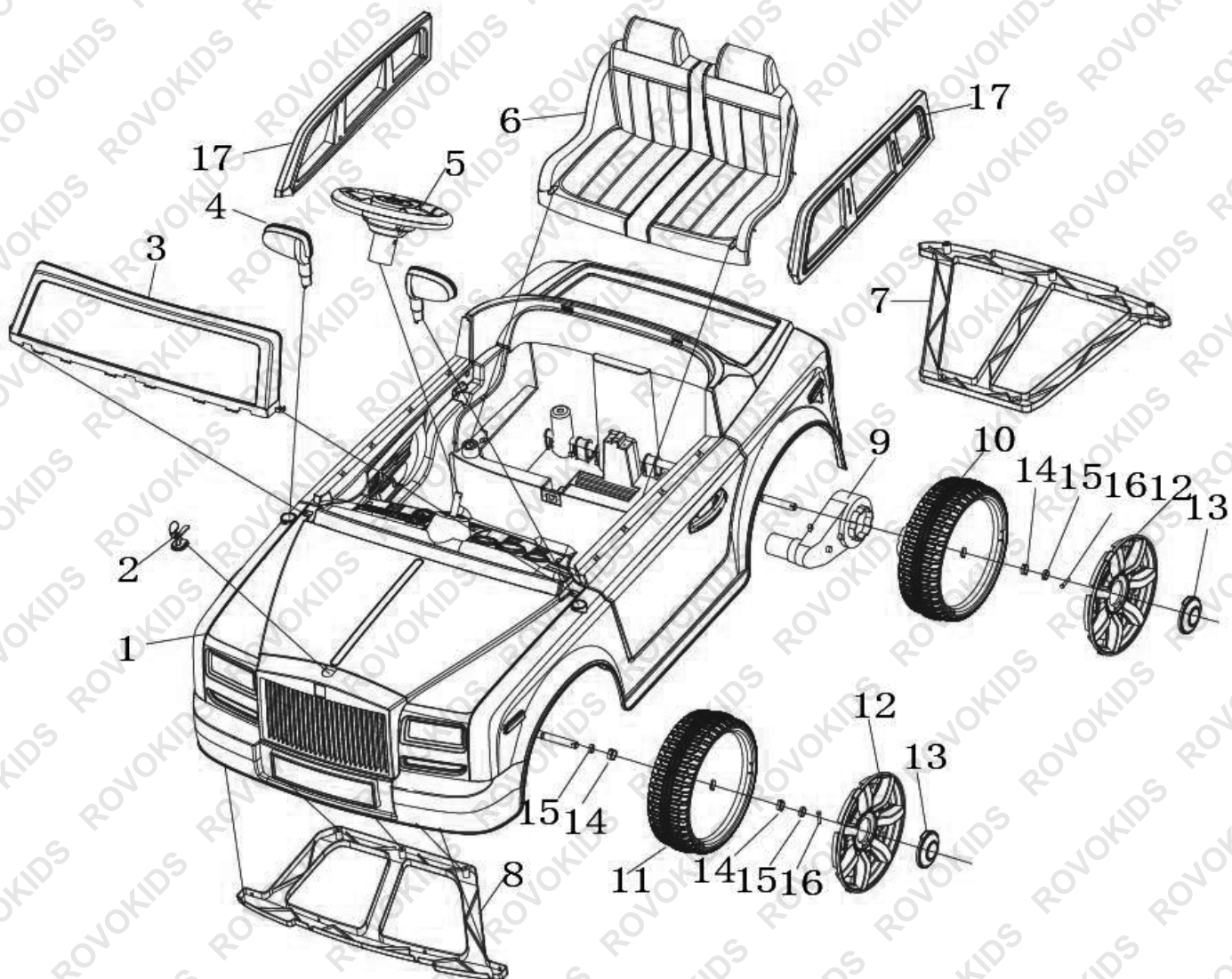


Safety

Please read these directions carefully before assembling and using. After reading, please keep this manual in a mindful place for safe keeping.

- Assembly, charging and adjustments must be performed by an adult
- Children under 36 months of age must not use this item in any way.
- Must be used under adult supervision at all times.
- Children must not stand on seat or play with foot pedal.
- Ensure children are kept clear from packaging materials. Loose bags and small pieces can cause suffocation.
- Do not allow more than 1 child to operate steering wheel and/or pedal.
- Modifying product or using any other materials/parts that are not provided with this product is prohibited (with the exception of accessories supplied by mytopia.com.au).
- This product does not have any breaking (stopping) mechanism. Releasing pressure from pedal will to slow that car down and stop it from moving.
- Do not use this product near roads or footpaths.
- Use this on small paths that are far from any traffic and in an open area or park that is considered safe.
- Do not use this product on wet surfaces or on an incline or slope that's greater than 15°.
- Never charge for longer than 12 hours.
- Never open or dismantle battery or charger.
- Always ensure that the battery secured in designated cavity.
- Maximum weight is 30kg.
- Age limit for driving product is 37-96 months.
- It is normal for charger to slightly buzz or increase in temperature.
- An increase of 30°C or more is abnormal. Please contact us if this occurs.
- Battery needs to be charged at least once a month to be kept active. Battery may fully deplete if not kept active.
- For first time use, suggested charging time is 4 – 6 hours.

Included Items



No.	Description	No.	Description	No.	Description	No.	Description
1	Car body	6	Seat	11	Front wheel	16	Split pin
2	Badge	7	Rear support frame	12	Wheel cover	17	Side window
3	Windscreen	8	Front support frame	13	Wheel cover decal		
4	Side mirror	9	Drive motor	14	Spacer		
5	Steering wheel	10	Rear wheel	15	Washer		

Assembly

Video Tutorial:
[Typical Ride-On Car Assembly](#)

Tools needed for assembly:

- Screwdriver (Included)
- Vice (Included)

Before assembling, please check all part quantities.

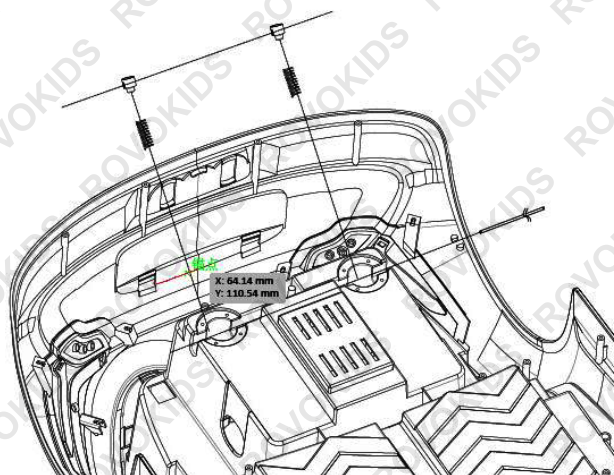
NOTE: Please remove the terminal cover first when assembling the battery (see image below).



Installing the Rear Axle

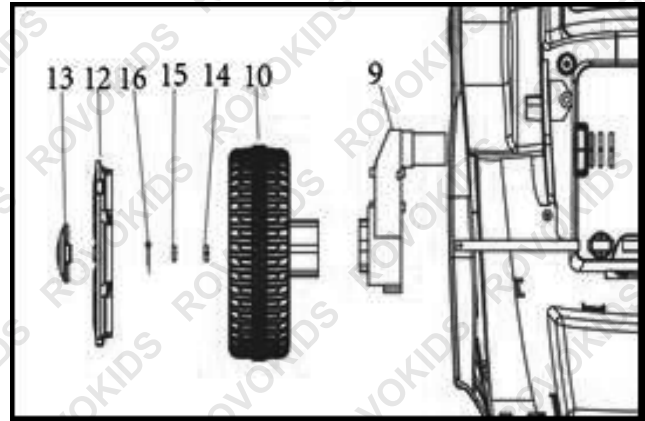
(This step may already be pre-assembled.)

1. Attach spring attachment to spring then place spring into base of car body
2. Insert rear axle into side of car
3. Slide rear axle all the way through car and ensure axle also goes through spring attachment



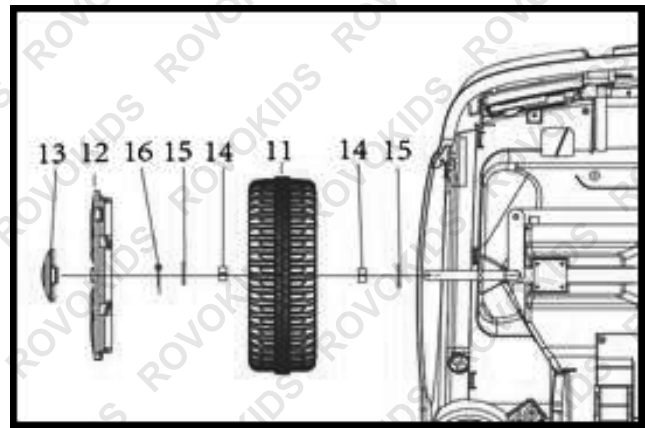
Installing the Rear Wheels

1. Place the drive motor onto the rear axle, ensuring that they go on the correct left/right sides (*The gear/cog of the motor should face out to rear wheel can fit into it*).
2. Feed cable through hole cavity so that it can reach battery connection.
3. Place rear wheel onto axel, ensuring it fits into drive gear.
4. Place spacer (14), washer (15) onto the axle.
5. Fit split pin (16) into hole at the end of the axle and bend pin legs in opposing directions, ensuring the wheel is secured.
6. Fit wheel cover (12) then wheel cover decal (13) onto wheel.
7. Repeat steps for other side.



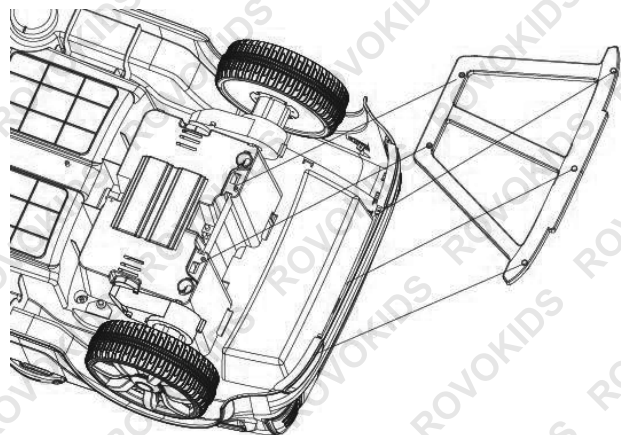
Installing the Front Wheels

1. Place washer (15), spacer (14) and front wheel (11) onto front axle.
2. Place spacer (14) then washer (15) onto front axle.
3. Fit split pin (16) into hole at the end of the axle and bend pin legs in opposing directions, ensuring the wheel is secured.
4. Fit wheel cover (12) then wheel cover decal (13) onto wheel.
5. Repeat steps for other side.



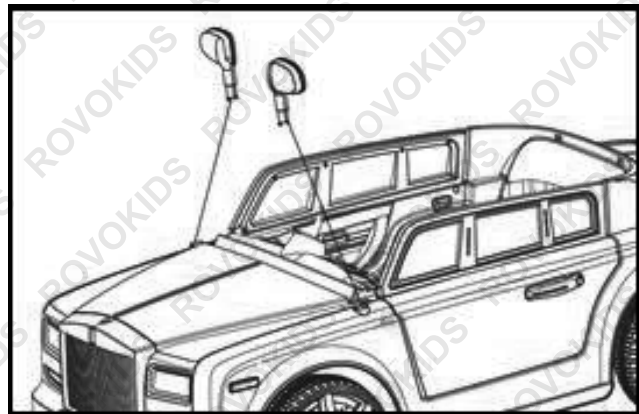
Installing the Support Frames

1. Align the rear support frame holes to the screws holes on the base of the car body.
2. Screw in with 4x12 self-tapping screw into 5 positions.
3. Repeat same steps for front support frame.



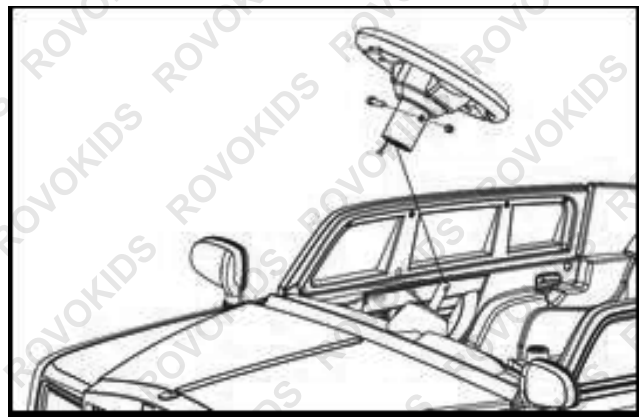
Installing the Side Mirrors

1. Insert side mirrors into fittings near bonnet, ensuring the correct sides are inserted and facing correct way.



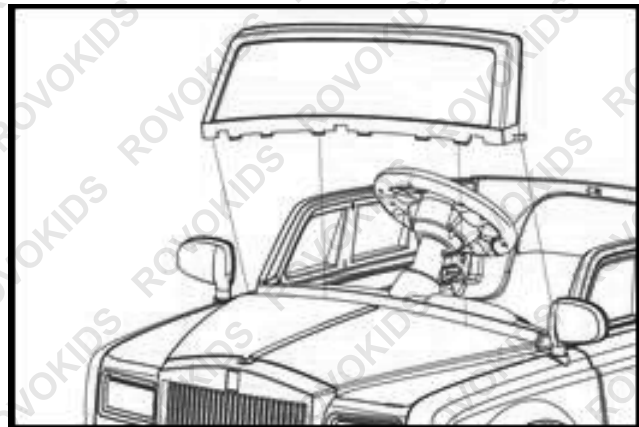
Installing the Steering Wheel

1. Remove screw and bolt from steering wheel
2. Connect wires *together* (this connection will ensure that the buttons on the steering wheel will work).
3. Fit steering wheel onto the steering shaft and align the screw holes.
4. Thread M5x35 screw through the aligned holes (wheels may need to be fully turned for easier viewing of the hole alignment. Steering wheel may need slight up/down movement to align holes).
5. Place bolt onto the other end and tighten screw.



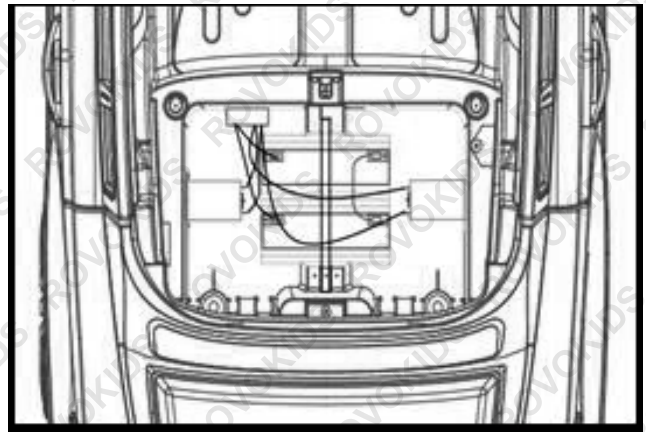
Installing the Windscreen

1. This piece requires no screws.
2. Align clips of windscreen into the cavities between side mirrors.
3. Push down and clip in.



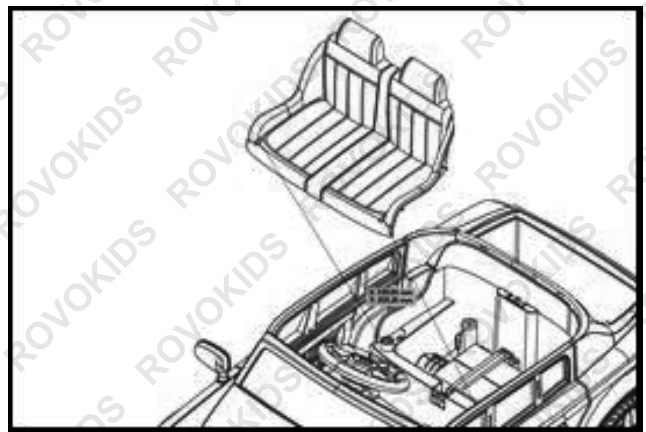
Connecting the Power

1. Connect the wires and connectors together.
2. Ensuring black connects to black and red connects to red.



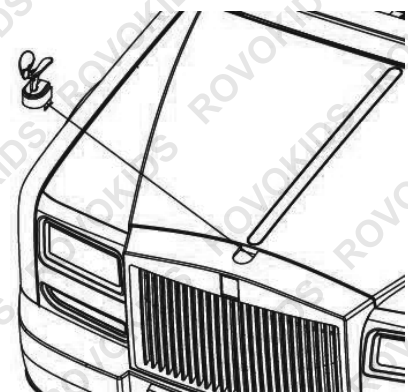
Installing the Seat

1. Remove the 4x15 self-tapping screws.
2. Align the seat clips into car body and firmly press seat in.
3. Screw the same 4x15 screws that were removed and ensure that the seat is secured.

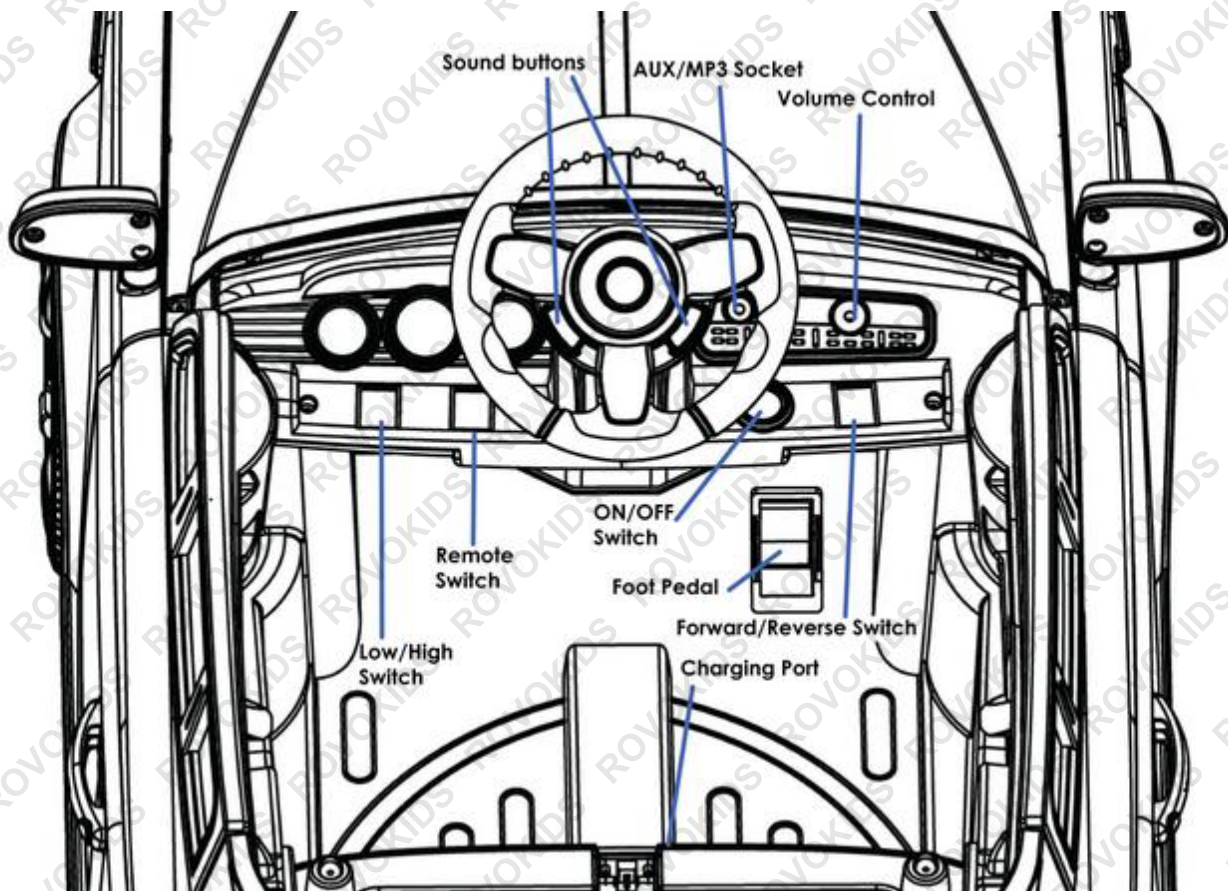


Installing the Badge

1. Fit and clip badge into cavity at the front of the vehicle.



Operation



WARNING!

- When changing directions, please ensure that the foot pedal is released before changing!
- Do not hold foot pedal down while changing directions!

Moving Forward

1. Press "ON/OFF Switch" to ON.
2. Press "Remote Switch" to Manual.
3. Press the "Forward/Reverse Switch" to Forward.
4. Lightly press down on foot pedal.
5. Steer according to course.

Stopping

1. Release foot from pedal.

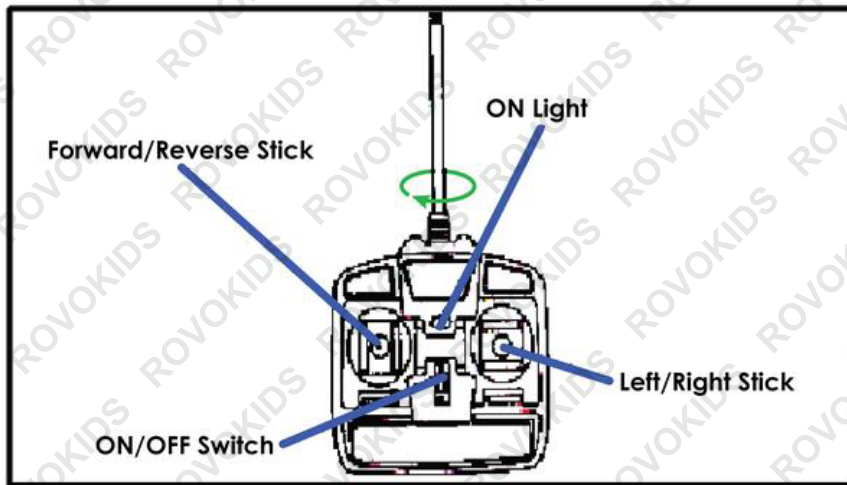
Reversing

1. Press "ON/OFF Switch" to ON.
2. Press "Remote Switch" to Manual.
3. Press the "Forward/Reverse Switch" to Reverse.
4. Lightly press down on foot pedal.
5. Steer according to course.

Remote Control

Setup

1. Screw in the metal antenna onto controller (as shown below).
2. Insert 2x AA batteries (included).



Operation

1. Turn Remote Switch to Remote (in car).
2. Push ON/OFF Switch to ON, ON light will come on.
3. Extend antenna.
4. Push Forward/Reverse stick away from operator to move forward.
5. Push Forward/Reverse stick towards operator to reverse.
6. Lean Left/Right stick to steer left or right.

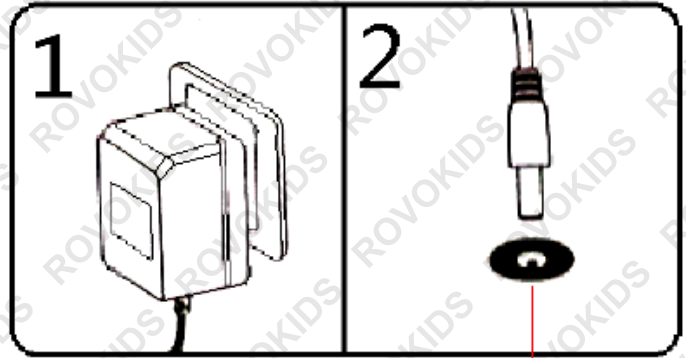
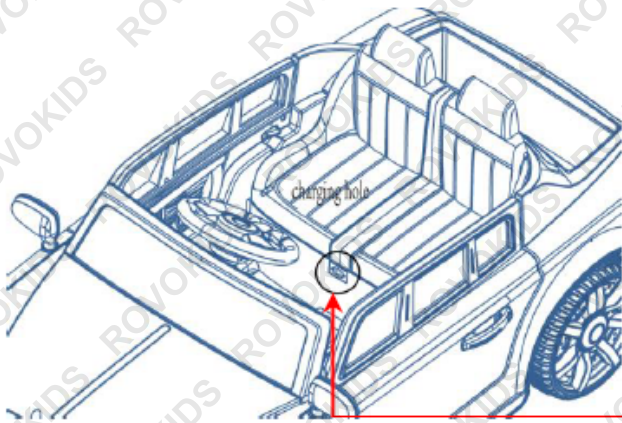
(Both sticks can be used simultaneously.)

Battery Warning

(For both controller and vehicle batteries.)

1. New and old batteries of different kinds cannot be used together.
2. Non-rechargeable batteries cannot be recharged.
3. Rechargeable batteries should be taken out before recharging.
4. Batteries can only be inserted in correct positions ("+" to "+" and "-" to "-").
5. Rechargeable batteries should only be charged by adults.
6. When vehicle is not in use, batteries should be taken out and placed in a safe environment to prevent children playing unexpectedly.
7. When the vehicle is not used for a long period of time, please remove the batteries and store in a safe place.

Charging



1. Ensure that vehicle is switched OFF.
2. Plug charger into wall (as pictured in 1).
3. Insert charger into vehicle's charging port (as pictured in 2).

Please consider the following when charging:

- The charging process must be carried out by an adult.
- On first charge, please ensure it is charged for no longer than 6 hours. Suggesting first charge time is 4 – 6 hours.
- Charges after this are generally 8 hours to full capacity, however, never let it charge for more than 12 hours.
- Please ensure that the vehicle is turned off and not operating while it's charging.
- Please ensure charging contacts are kept clean, as moisture or residues can cause corrosion and render the item unusable.

Maintenance

For appropriate care and maintenance of this vehicle, please regularly check (roughly once a month) the main items, including: battery storage location, battery, charger, wires, cosmetics, remote controller, wheels and seat belt.

Items that are secured with screws or pins should also be checked regularly. Loose items can cause failure and/or injury.



Troubleshooting

Symptom	Possible Cause	Possible Solution
Not moving at all when accelerating	Battery not connected	Please connect battery.
	RC/TC Switch is on	Turn Switch to "Manual."
	Switched off	Turn power switch to ON.
	Battery is flat	Battery has an average running usage of 1-2 hours. Please recharge battery.
	Exhausted battery life	If still does not work after 8 hours of charging the battery will need replacing.
Not charging	Damaged battery	Damage to battery can occur if left on charge for over 12 hours. Please avoid this. Battery will need replacing.
	Switched ON	This will not charge if unit is switch on. Remove charging cable, turn unit off and re-insert cable.
	Battery	If the charging indicator does not light, the battery may need replacing.
	Charger	If charging indicator does not light, the charger may need replacing.
Remote control is not working	Button is engaged/active	If a button (accelerator, sound or other) is accidentally pressed and held it, the unit will not charge. Please ensure all buttons are operating normally and aren't jammed.
	Manual Switch is on	Ensure "RC/TC" switch is on.
	Controller batteries	Ensure fresh AA or AAA batteries have been replaced in the controller.
	Aerial is not attached	Ensure that the aerial is screwed in correctly.
High Speed is not working (if equipped)	Out of range	The controller has roughly 3m range. If the ride on vehicle is out of this range it may not be receiving the signal. Bring the controller within closer range.
	Rear driving wheels are swapped around	Switch over the rear motors. Note: The connectors cannot be simply swapped over as they have a different configuration. Underneath the seat there is a black box with wires connected to it. Disconnect the motor wires, swap sides over and reconnect. Ensure the right motor is in the middle.
	Switch is on low	Turn switch to High.
No sound	Low battery	Recharge battery.
	Volume turned down	Turn volume up.
Forward and reverse are swapped around	Aux cable in MP3 port	Remove aux cable from MP3 port.
	Rear driving wheels are swapped around	Switch over the rear motors. Note: The connectors cannot be simply swapped over as they have a different configuration. Underneath the seat there is a black box with wires connected to it. Disconnect the motor wires, swap sides over and reconnect. Ensure the right motor is in the middle.
Lights turn on and sounds works but does not move/accelerate	Not connected properly	Underneath the seat there is a black box with wires connected to it. Remove the motor wires and ensure metal pins are straight (they may be wedged to the side). Straighten pins and reconnect.



Specifications

Gears	Forward and reverse
Engine Start Sound	Yes
Seat Belts	Adjustable
Battery	12V 7Ah
Battery Charger	AC240V
Charge time	8-12hrs (full charge)
Range	1-2hrs (full charge)
Remote Operation	Yes
Remote Battery	2 AAA (Included)



Some experts believe that the incorrect or prolonged use of almost any product may cause serious injury or death. To help reduce your risk of serious injury or death, refer to the information below. For more information, see www.datastreamserver.com/safety

- Consult all documentation, packaging and product labelling before use. Note that some products feature documentation available online. It is recommended to print and retain the documentation.
- Before each use, check the product for loose/broken/damaged/missing parts, wear or leaks (if applicable). Never use a product with loose/broken/damaged/missing parts, wear or leaks.
- Products must be inspected and serviced (if applicable) by a qualified technician every 6 months. This is based on average residential use by persons of average size and strength, and on a property of average metropolitan size. Use beyond these recommendations may require more frequent inspections/servicing.
- Ensure that all users of the product have completed a suitable industry recognised training course before being allowed access to the product.
- The product has been supplied by a general merchandise retailer that may not be familiar with your specific application or description of application. Be sure to attain third-party approval from a qualified specialist for your application before use, regardless of any assurances from the retailer or its representatives.
- This product is not intended for use where fail-safe operation is required. As with any product (for example, automobile, computer, toaster), there is the possibility of technical issues that may require the repair or replacement of parts, or the product itself. If the possibility of such failure and the associated time it may take to rectify could in any way inconvenience the user, business or employee, or financially affect the user, business or employee, then the product is not suitable for your requirements. This product is not intended for use where incorrect operation or a failure of any kind, including but not limited to, a condition requiring product return, replacement, parts replacement or service by a technician may cause financial loss, loss of employee time or an inconvenience requiring compensation.
- If this product has been purchased in error when considering the information presented here, contact the retailer directly for details of their returns policy, if required.



©2018 Rovo Kids. All rights reserved. No part of this document, including descriptive content, concepts, ideas, diagrams or images may be reproduced or transmitted in any form or by any means, electronic or mechanical, including photocopying, scanning or recording, or any information storage and retrieval system, without express permission or consent from the publisher.