



SNORKEL KIT FOR NISSAN PATROL 4X4 GU SERIES

USER MANUAL

[Revision 2.0 November 2016]

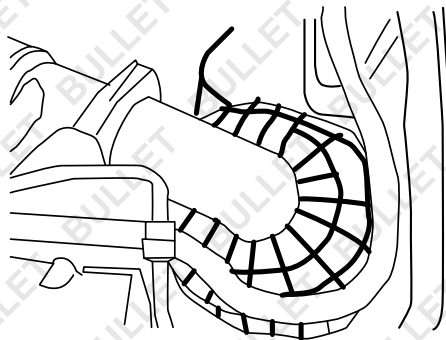
READ THIS MANUAL CAREFULLY BEFORE USE – FAILURE TO DO SO MAY RESULT IN INJURY, PROPERTY DAMAGE AND MAY VOID WARRANTY. • KEEP THIS MANUAL FOR FUTURE REFERENCE. • Products covered by this manual may vary in appearance, assembly, inclusions, specifications, description and packaging.

Some tools required for installing:

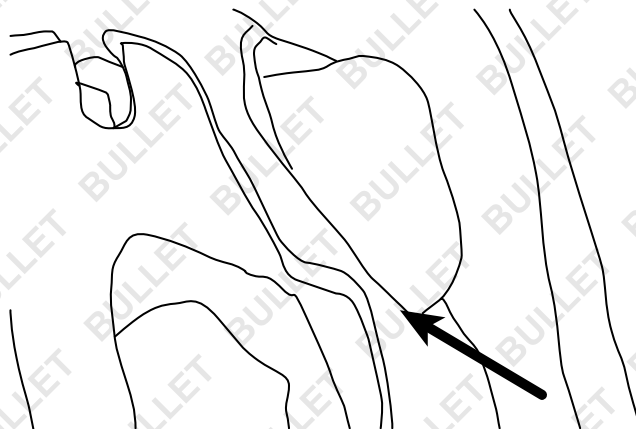
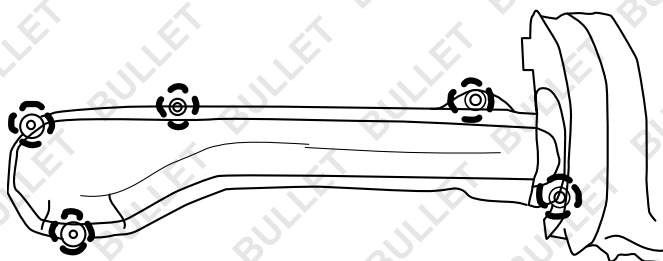
- Hole Saw (95mm & 108mm)
- Step Drill

1. Before installation, check that the snorkel application is compatible with your vehicle.

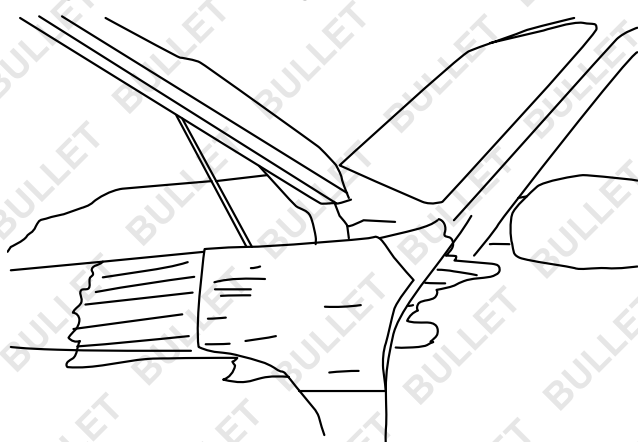
2. Remove the air cleaner assembly, left-hand front mudguard liner, left-hand front headlight/indicator assembly, aerial, air cleaner intake (mounted to inner guard where fitted) and radiator overflow bottle (4.8L Only).



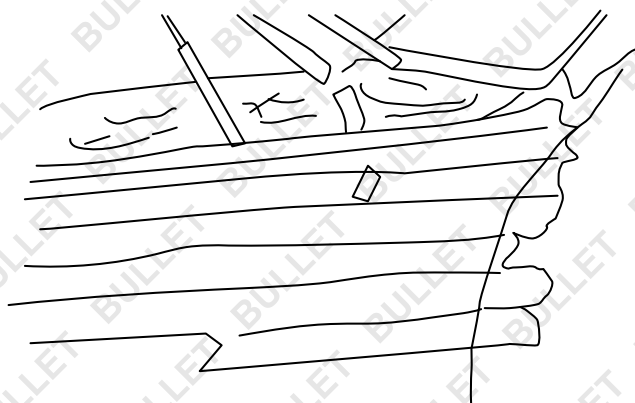
3. Remove the air entry duct from between the inner and outer mudguards by removing 5 M6 bolts and levering away from the inner guard to break any adhesive.



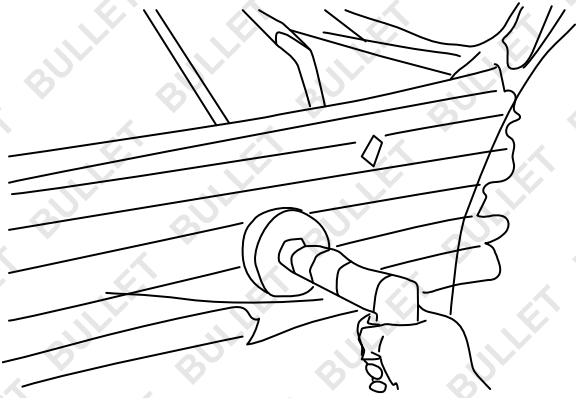
4. Tape the mounting hole template to the mudguard, making sure it is lined up with the top of the mudguard (bonnet opening) and rear of the mudguard (door opening).



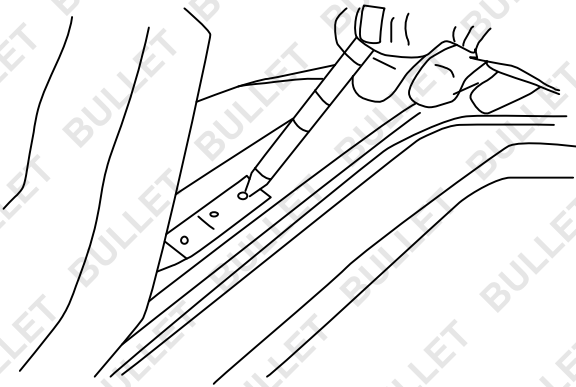
5. Using a felt tipped pen, mark all holes through the mounting template onto the mudguard. Remove the template.



- Using a 108mm holesaw, cut a hole for the snorkel duct and drill the stud mounting holes to 16mm.
- De-burr and rust-proof all holes (this applies to all holes drilled after this step).
- Using a thread-locking compound, screw all studs into the snorkel body and attached the pillar mounting bracket to the snorkel using the supplied M6 bolts.



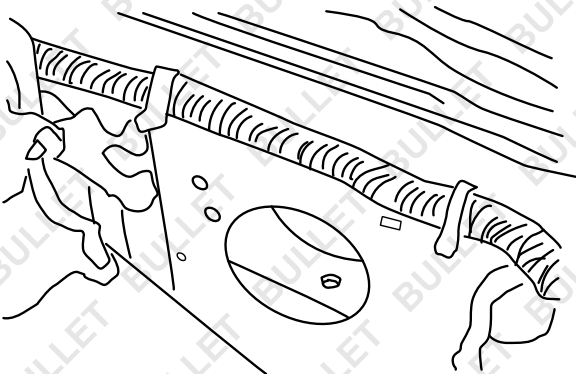
- Hold the snorkel body in position, and mark three holes through the mounting bracket on the windscreen pillar. Remove the snorkel and drill the holes to 7.5mm.



- Apply silicone sealant to the holes and insert the mounting plugs.

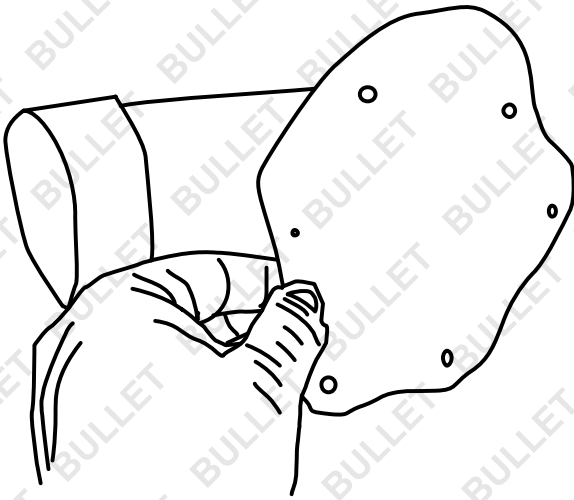
TD42Ti & TB48 ONLY

- From the engine bay, using a 95mm holesaw, cut the internal panel through the air entry hole for the air cleaner. When cutting this hole, a piece of timber can be placed between the outside mudguard and internal panel to prevent damage to the outer mudguard.

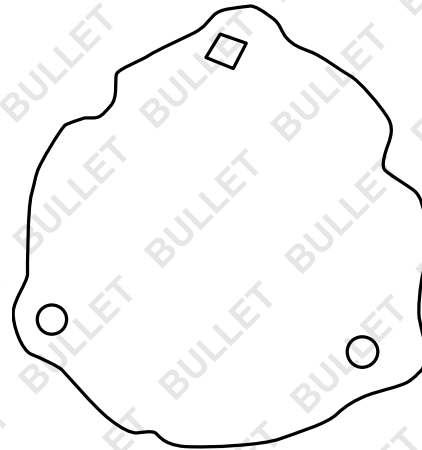


- Flatten approximately 35mm of raised edge of the diagonal brace.

13. Place the drilling template on the mounting flange of the connecting elbow, then mark and drill holes to 6.5mm.

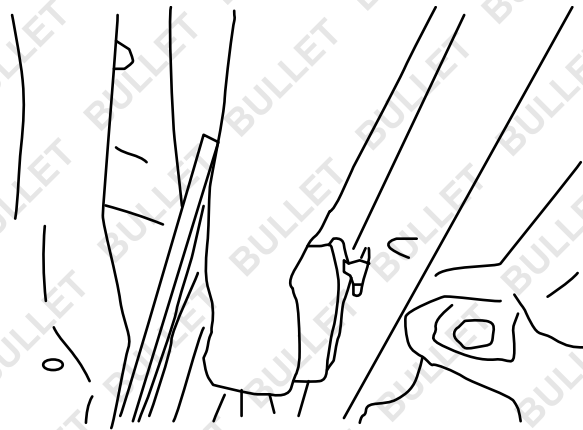


14. Place the remaining template on the air cleaner flange and mark the sections to be removed to allow it to seal against the connecting elbow.



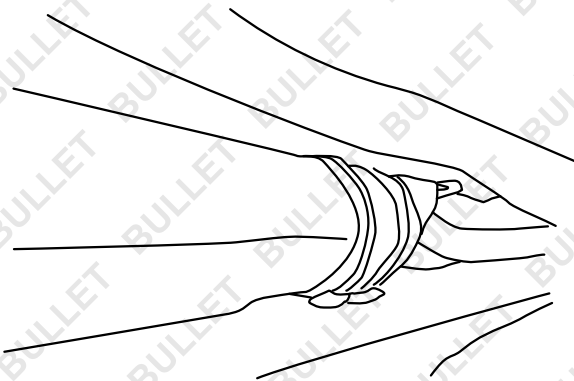
15. Place the air entry duct in position under the mudguard and apply a liberal amount of silicone sealant to the snorkel connection.

16. Install the snorkel body to the vehicle using the supplied M8 Nyloc nuts and body-washers, making sure the snorkel outlet engages with the air entry duct. Secure the pillar mounting bracket to the pillar using the supplied self-tapping screws.

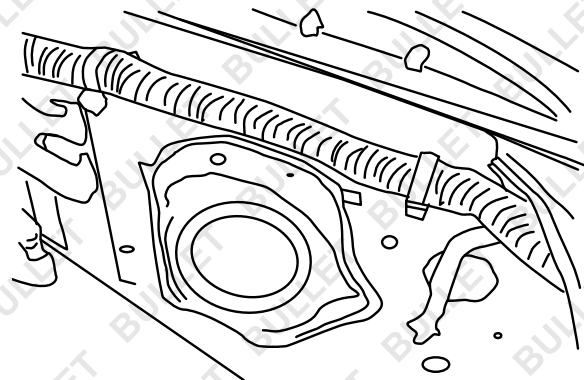


ALL MODELS

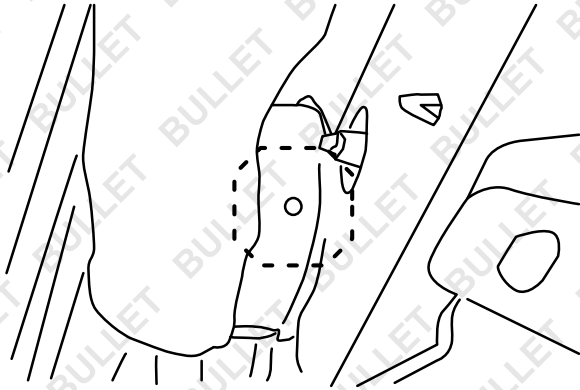
17. Slide the connecting hose on to the end of the air entry duct using two supplied hose clamps.



18. Fit the elbow from the engine bay through the inner guard and connect it to the air entry duct using the connection hose. Secure the elbow flange to the inner guard with M6 bolts and tighten the hose clamps.

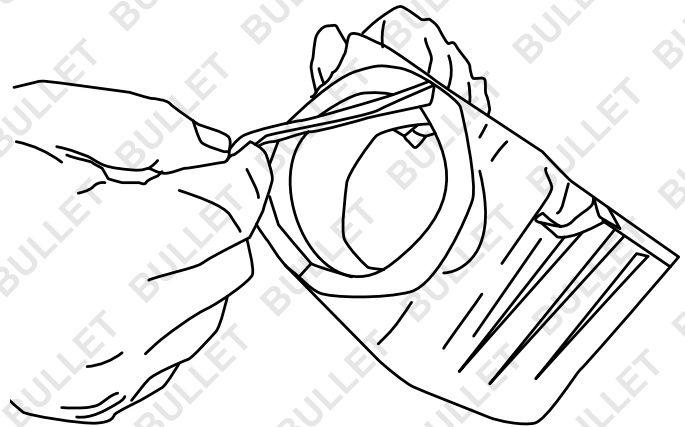
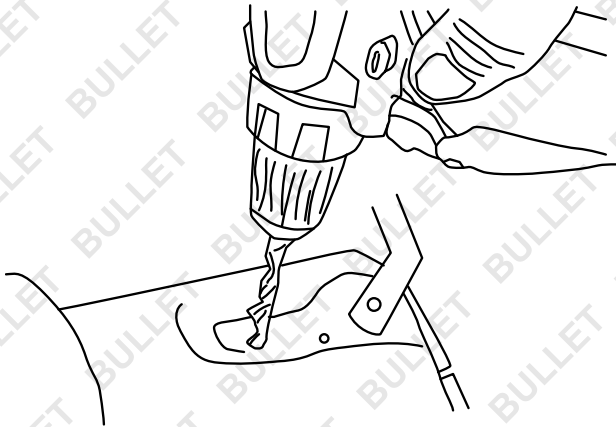


19. Secure the air entry duct to the snorkel with the supplied self-tapping screw.



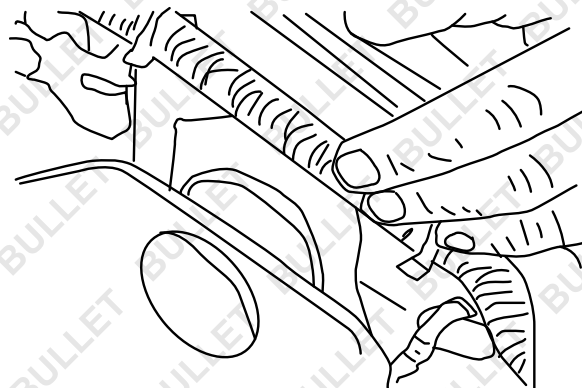
ZD30 & TD42Ti ONLY

20. Enlarge the air cleaner mounting holes to 11mm and remove the foam seal from the air cleaner flange.



ALL MODELS

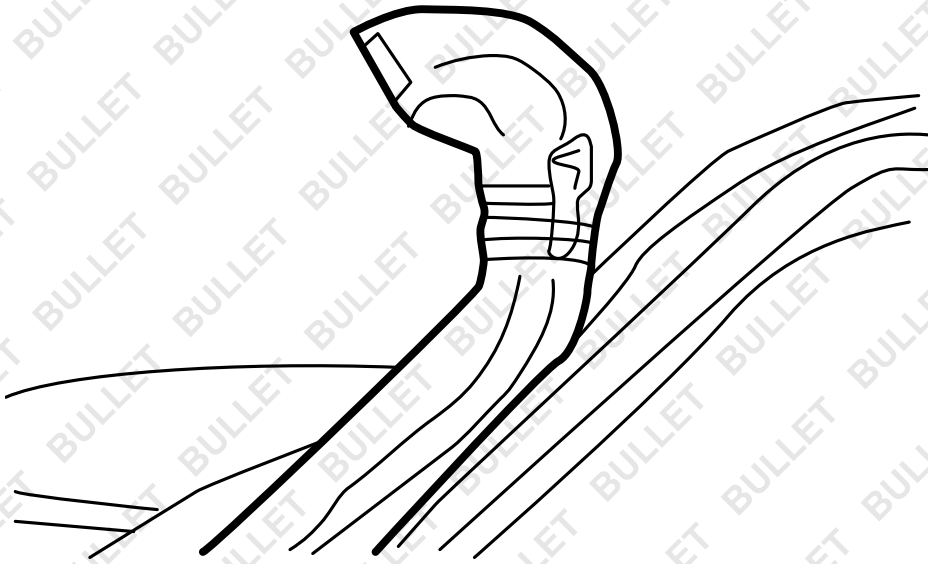
21. Apply a liberal amount of silicone sealant to the elbow mounting flange and refit the air cleaner, making sure the air cleaner has a water tight seal with the mounting flange.



22. Check all hose connections for potential leaks and seal as required.

23. Re-install the aerial, guard liner, headlights/ indicator assembly and radiator overflow bottle (4.8L).

24. Fit the air ram and secure it with the supplied hose clamp.





Some experts believe that the incorrect or prolonged use of almost any product may cause serious injury or death. To help reduce your risk of serious injury or death, refer to the information below. For more information, see www.datastreamserver.com/safety

- Consult all documentation, packaging and product labelling before use. Note that some products feature documentation available online. It is recommended to print and retain the documentation.
- Before each use, check the product for loose/broken/damaged/missing parts, wear or leaks (if applicable). Never use a product with loose/broken/damaged/missing parts, wear or leaks.
- Products must be inspected and serviced (if applicable) by a qualified technician every 6 months. This is based on average residential use by persons of average size and strength, and on a property of average metropolitan size. Use beyond these recommendations may require more frequent inspections/servicing.
- Ensure that all users of the product have completed a suitable industry recognised training course before being allowed access to the product.
- The product has been supplied by a general merchandise retailer that may not be familiar with your specific application or description of application. Be sure to attain third-party approval from a qualified specialist for your application before use, regardless of any assurances from the retailer or its representatives.
- This product is not intended for use where fail-safe operation is required. As with any product (for example, automobile, computer, toaster), there is the possibility of technical issues that may require the repair or replacement of parts, or the product itself. If the possibility of such failure and the associated time it may take to rectify could in any way inconvenience the user, business or employee, or financially affect the user, business or employee, then the product is not suitable for your requirements. This product is not intended for use where incorrect operation or a failure of any kind, including but not limited to, a condition requiring product return, replacement, parts replacement or service by a technician may cause financial loss, loss of employee time or an inconvenience requiring compensation.
- If this product has been purchased in error when considering the information presented here, contact the retailer directly for details of their returns policy, if required.



©2018 Bullet. All rights reserved. No part of this document, including descriptive content, concepts, ideas, diagrams or images may be reproduced or transmitted in any form or by any means, electronic or mechanical, including photocopying, scanning or recording, or any information storage and retrieval system, without express permission or consent from the publisher.