

**EQUIPMED®**



*\*SHOWER HEAD NOT INCLUDED*

# Height Adjustable Shower Stool with Backrest

## User Manual

[Revision 2.0 May 2017]




---

READ THIS MANUAL CAREFULLY BEFORE USE – FAILURE TO DO SO MAY RESULT IN INJURY, PROPERTY DAMAGE AND MAY VOID WARRANTY. • KEEP THIS MANUAL FOR FUTURE REFERENCE. • Products covered by this manual may vary in appearance, assembly, inclusions, specifications, description and packaging.

---

# Safety

Safety messages are designed to alert you to possible dangers or hazards that could cause death, injury or equipment or property damage if not understood or followed. Safety messages have the following symbols:

 <p>You <b>WILL</b> be <b>KILLED</b> or <b>SERIOUSLY INJURED</b> if you do not follow instructions.</p>	 <p>You <b>CAN</b> be <b>KILLED</b> or <b>SERIOUSLY INJURED</b> if you do not follow instructions.</p>	 <p>You <b>CAN</b> be <b>INJURED</b> if you do not follow instructions or equipment damage may occur.</p>
--	---	--

It is important that you read and understand the instruction manual before use and keep the manual in a safe place for future reference. Safety information presented here is generic in nature – some advice may not be applicable to every piece of equipment.

All safety precautions must be observed to reduce the risk of personal injury when operating the equipment.

The term “equipment” refers to your product, be it electrical mains, battery or petrol engine powered.

**IMPORTANT** – Handle the equipment safely and carefully.

**BEFORE USE** - If you are not familiar with the safe operation/handling of this equipment, or are in any way unsure of any aspect of suitability or correct use it for your application, you should complete training conducted by a person or organization qualified in safe use and operation of this equipment, including fuel/electrical handling and safety.

**WARNINGS**

- Read all safety warnings and all instructions. Failure to follow warnings and instructions may result in electric shock, fire and/or serious injury.
- Never run a combustion engine in confined areas.
- Do not operate the equipment in flammable or explosive environments, such as in the presence of flammable liquids, gases or dust. Engine and equipment may create sparks or heat that may ignite vapours, dust etc
- Keep clear of moving parts.
- This equipment may be a potential source of electric shock if misused.
- Do not operate the equipment if it is damaged, malfunctioning or is in an excessively worn state.
- Do not allow others to use the equipment unless they have read this manual and are adequately trained.
- When using the equipment, basic safety precautions detailed here must always be followed to reduce the risk of fire, electric shock, personal injury and material damage.
- When wiring electrically powered equipment, follow all electrical and safety codes.
- Ensure all power sources conform to equipment voltage requirements and are disconnected before connecting equipment.

**General Work Area Safety**

Work areas should be clean and well lit.

Do not operate the equipment if bystanders, animals etc are within operating range of the equipment or the general work area.

**Personal Safety**

Keep packaging away from children - risk of suffocation! Operators must use the equipment correctly. When using the equipment, consider conditions and pay due care to persons and property.

Prevent unintentional starting of the equipment - ensure equipment and power source switches are in the OFF position before connecting or moving the equipment. Do not carry equipment with hands/fingers touching any controls. Remove any tools or other items that are not a part of the equipment from it before starting or switching on.

Stay alert and use common sense when operating equipment. Do not overreach. Keep proper footing and balance at all times. Do not use equipment when tired or under the influence of drugs, alcohol or medication. This equipment is not intended for use by persons with reduced physical, sensory or mental capabilities.

You must wear appropriate protective equipment when operating, servicing, or when in the operating area of the equipment to help protect from serious injury, including eye injury, inhalation of toxic fumes, burns, and hearing loss. Always wear eye protection. Protective equipment such as respirators, non-skid safety shoes, hard hat, hearing protection etc should be used for appropriate conditions. Other people nearby should also wear appropriate personal protective equipment. Do not wear loose clothing or jewellery, which can be caught in moving parts. Keep hair and clothing away from the equipment.

If devices are provided for the connection of dust extraction and collection facilities, ensure these are connected and properly used. Use of dust collection can reduce dust-related hazards.

**General Equipment Use and Care**

Do not force the equipment. Use the correct equipment for your application. The correct equipment will perform better and be safer within its design parameters. Do not use the equipment if the ON/OFF switch malfunctions – any equipment that cannot be controlled with the ON/OFF switch is dangerous and must be repaired.

Use the equipment and accessories etc. in accordance with these instructions, taking into account working conditions and the work to be performed. Using the equipment for operations different from those intended could result in hazardous situations.

Before use, inspect the equipment for misalignment or binding of moving parts, loose components, damage or any other condition that may affect its operation. If damaged, have the equipment repaired by an authorized service centre or technician before use.

Always keep the equipment and accessories (cutting tools, nozzles, bits etc) properly maintained. Keep the equipment, controls and handles dry and free from dirt, oil and grease.

Store the equipment out of reach of children or untrained persons. To avoid burns or fire hazards, let the equipment cool completely before transporting or storing. Never place the equipment in places where there are flammable materials, combustible gases or combustible liquids etc.

The equipment is not weatherproof, and should not be stored in direct sunlight, at high ambient temperatures or locations that are damp or very humid.

**Product Use and Care**

**WARNING!**

This product may feature one or more or a combination of; nuts, bolts, screws, clips, fasteners and/or locking, fixing or safety mechanisms. These items/mechanisms require checking/inspection to ensure they are tight or correctly secured and are operating correctly. Failure to adequately check this product before each use may result in serious injury due to fall, loss of control, loss of balance, loss of footing, tripping, crushing and/or impact. Additionally, regular inspection/servicing should be performed by a person who is qualified and competent in servicing this product - intervals will vary depending on product usage. Consult a qualified person to determine inspection/service intervals after communicating details of your usage to them.

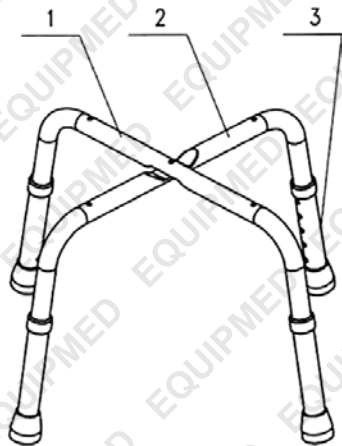
# Table of Contents

<b>Safety</b> .....	<b>2</b>
<b>Assembly and Parts Identification</b> .....	<b>4</b>
<b>Maintenance</b> .....	<b>5</b>
<b>Specifications</b> .....	<b>5</b>

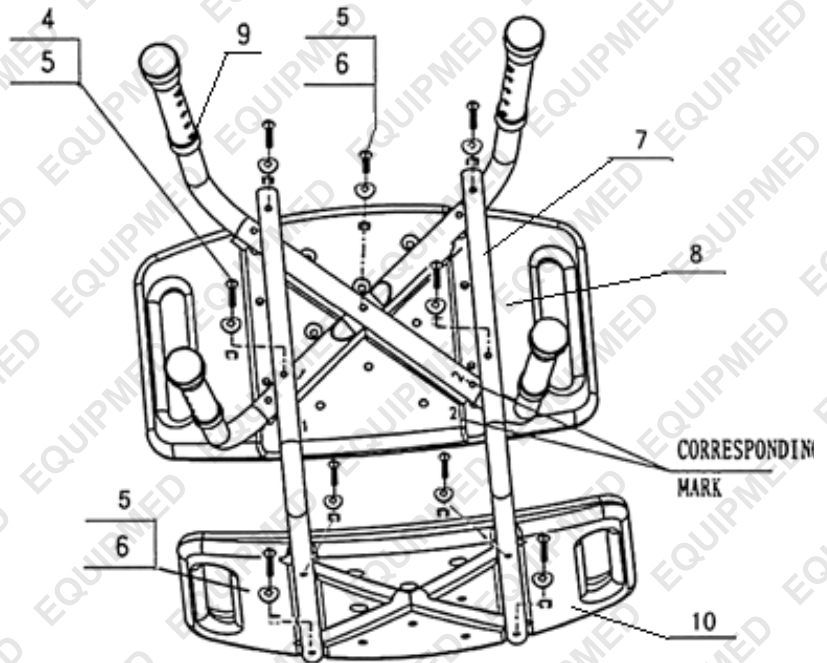
# Assembly and Parts Identification

**Step 1:** Position the leg tubes together as shown below. The notches in the tubes must be touching.

**Step 2:** Place the seat upside-down, then insert the leg tubes into the channels in the underside of the seat. Ensure that the numbers marked on the leg tubes and seat are aligned. Attach the leg tubes to the seat in the centre position only using 1 M6x35 screw and washer and firmly tighten the screw.



**Step 3:** Place the backrest tubes in position over the leg tubes. Attach the backrest tubes and leg tubes to the seat using 4 M6x55 screws and washers and firmly tighten the screws.

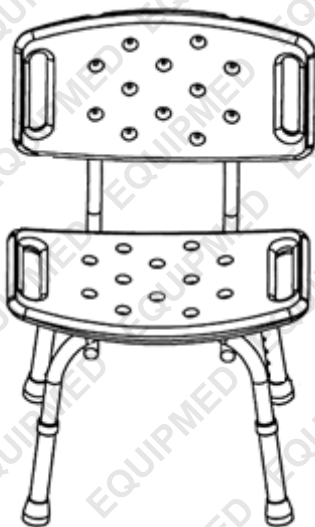


**Step 4:** Place the backrest into position against the backrest tubes. Attach the backrest to the backrest tubes using 4 M6x35 screws and washers and firmly tighten the screws

**Step 5:** Place the assembled chair on a flat, even surface then adjust the legs to a suitable height. To adjust, push the spring pin into the leg so it disengages from the locating hole, then move the leg to the required position.

**CAUTION:** Ensure that the spring pin "pops" into its locating hole. Always have all 4 legs adjusted to the same height and check that the spring pins are properly located before and after every use.

No.	Name
1	Top leg tube
2	Bottom leg tube
3	Telescopic leg
4	M6x55 screw (4)
5	Curved washers (9)
6	M6x35 screw (5)
7	Backrest tube (2)
8	Seat
9	Spring pin (1 per leg)
10	Backrest



# Maintenance

- Clean and disinfect the shower stool regularly.
- Put the shower stool in a dry and well-ventilated environment.

# Specifications

<b>Frame / Legs</b>	Aluminium
<b>Seat / Backrest</b>	Polyethylene
<b>Adjustable Levels</b>	8 (390-570mm)
<b>Weight Capacity</b>	100kg



**Some experts believe that the incorrect or prolonged use of almost any product may cause serious injury or death. To help reduce your risk of serious injury or death, refer to the information below. For more information, see [www.datastreamserver.com/safety](http://www.datastreamserver.com/safety)**

- |   |   |
|---|---|
| <ul style="list-style-type: none"> <li>▪ Consult all documentation, packaging and product labelling before use. Note that some products feature documentation available online. It is recommended to print and retain the documentation.</li> <li>▪ Before each use, check the product for loose/broken/damaged/missing parts, wear or leaks (if applicable). Never use a product with loose/broken/damaged/missing parts, wear or leaks.</li> <li>▪ Products must be inspected and serviced (if applicable) by a qualified technician every 6 months. This is based on average residential use by persons of average size and strength, and on a property of average metropolitan size. Use beyond these recommendations may require more frequent inspections/servicing.</li> <li>▪ Ensure that all users of the product have completed a suitable industry recognised training course before being allowed access to the product.</li> </ul> | <ul style="list-style-type: none"> <li>▪ The product has been supplied by a general merchandise retailer that may not be familiar with your specific application or description of application. Be sure to attain third-party approval from a qualified specialist for your application before use, regardless of any assurances from the retailer or its representatives.</li> <li>▪ This product is not intended for use where fail-safe operation is required. As with any product (for example, automobile, computer, toaster), there is the possibility of technical issues that may require the repair or replacement of parts, or the product itself. If the possibility of such failure and the associated time it may take to rectify could in any way inconvenience the user, business or employee, or financially affect the user, business or employee, then the product is not suitable for your requirements. This product is not intended for use where incorrect operation or a failure of any kind, including but not limited to, a condition requiring product return, replacement, parts replacement or service by a technician may cause financial loss, loss of employee time or an inconvenience requiring compensation.</li> <li>▪ If this product has been purchased in error when considering the information presented here, contact the retailer directly for details of their returns policy, if required.</li> </ul> |
|---|---|



©2017 Equipmed. All rights reserved. No part of this document, including descriptive content, concepts, ideas, diagrams or images may be reproduced or transmitted in any form or by any means, electronic or mechanical, including photocopying, scanning or recording, or any information storage and retrieval system, without express permission or consent from the publisher.